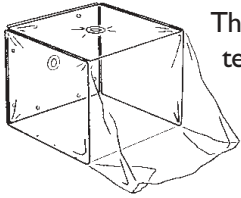
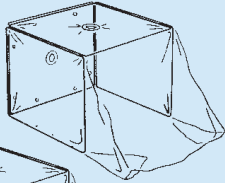


TENTHOUSE

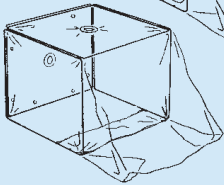


The Nova Tenthouse Oxygen Hoods are disposable, single patient use tents for cribs and beds. All Nova tents are made of clear vinyl with built in support frames. The standard tenthouse has two 22mm aerosol ports a full vinyl bottom and a front drape. The tents are delivered folded flat for convenient storage and snap together for easy assembly.



No-Bottom Variation

With the plastic bottom removed the care-giver gains fast and easier access.

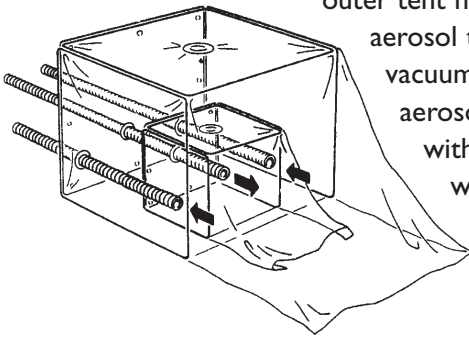


Partial Bottom Variation

With the partial bottom the larger tents can remain stable while reducing heat build up under the hood.

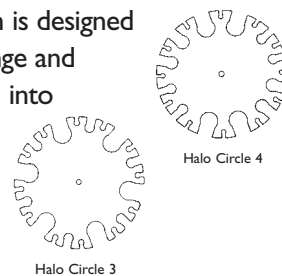
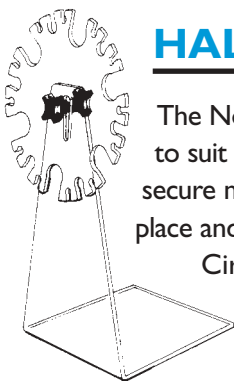
DOUBLE TENTS

The double tent is used for protection of the caregiver during treatment with Ribavirin. It is a combination of our standard TENTHOUSE with a specially designed outer tent having four 22mm ports for vacuum and aerosol tubing. Excess aerosolized medications are vacuumed from the space between the tents. The aerosol port of the inner tent of the set is matched with the outer tent. Connectors, tubing and filters would need to be added. Outer tents can be purchased separately to fit smaller tents you may already stock.



HALO TUBING SUPPORT

The Nova Health Systems, Inc. Halo Tubing System is designed to suit a large array of needs. The Halo helps arrange and secure many sizes of tubing and wires, locking them into place and out of the way. Mix and match any Halo Circle or Bar Support with any size Base including the Twister flexible arm.



SIZE (L x W x H)	PART #
------------------	--------

STANDARD DESIGN

15" x 15" x 15"	907009
18" x 18" x 18"	903014
21" x 21" x 21"	907011
24" x 24" x 19"	904201
24" x 24" x 24"	903015

NO-BOTTOM DESIGN

15" x 15" x 15" NB	907010
18" x 18" x 18" NB	903094

PARTIAL BOTTOM DESIGN

18" x 18" x 18" PB	903019
21" x 21" x 21" PB	907012
24" x 24" x 19" PB	904202
24" x 24" x 24" PB	903020

DOUBLE TENTS

TENT SETS

OUTER	INNER	PART #
24"	12"	903028
24"	18"	903027
18"	12"	903030
18"	12" (no bottom)	903037
18"	10"	903031
12"	10"	903032

OUTERTENT ONLY

OUTERTENT	FOR INNERTENT SIZE	PART #
24"	10" or 12"	903033
24"	18"	903036
18"	10" or 12"	903034
12"	10"	903035

HALO

WITH PEDIATRIC TALL BASE

Circle 3 (1/4", 1/2", 1")	903217
Circle 4 (6, 10, 15, 22mm)	903216

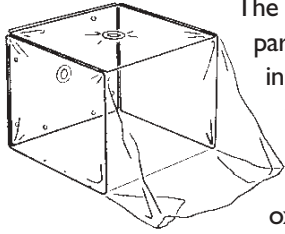
TWISTER FLEX ARM

Twister 27" w/Halo Circle 3	908014
Twister 27" w/Halo Circle 4	907082

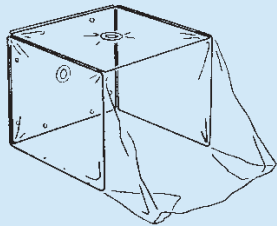
WITH INFANT STANDARD BASE

Circle 3 (1/4", 1/2", 1")	904301
Bar 3 (1/4", 1/2", 1")	904302
Circle 4 (6, 10, 15, 22mm)	903220
Oscillator Halo	903212

NEONATE, INFANT & NEWBORN TENTHOUSE

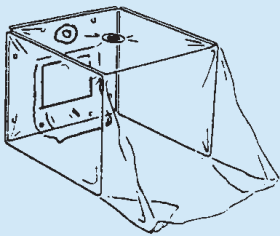


The Nova Neonate Tenthouses offer a wide range of sizes for full body or partial body coverage. Our two smallest hoods (7" & 8.5") can be used in the incubator or on the infant warmer. They are also useful for transport patients. All of Nova's single patient use Tenthouses are made of clear vinyl with built in support frames. Nova Health Systems has the largest selection of disposable, single patient use oxygen hoods and tents available to fit your specific needs.



No-Bottom Variation

With the plastic bottom removed the care-giver gains fast and easier access.

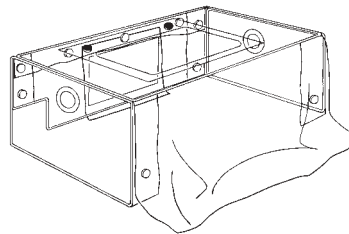


NICU

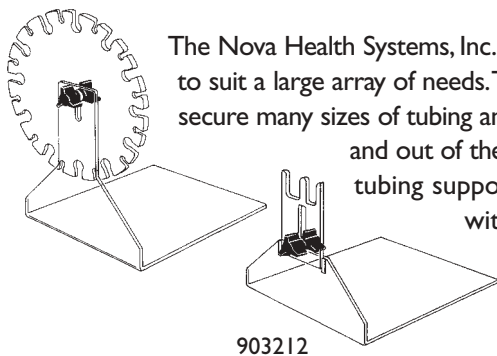
Bottomless plus an additional 3" x 5" draped access port on the rear panel. Offers maximum patient access for blowby procedures or adjustments.

LOW BIRTH WEIGHT TENTHOUSE

For full-body oxygen/aerosol treatments the Low Birth Weight Tents are available in two sizes. These tents can also be used in high humidity/mist procedures. A variety of access port options include top access, front drape and rear hand port. Low Birth Weight Tents are ideal for preemies and micro-preemies on warming tables and can be used with babies on ventilators.

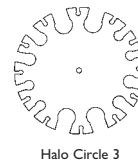


HALO TUBING SUPPORT

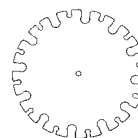


903212

The Nova Health Systems, Inc. Halo Tubing System is designed to suit a large array of needs. The Halo helps arrange and secure many sizes of tubing and wires, locking them into place and out of the way. Nova also offers a unique tubing support for oscillator/ventilators with rigid tubes.



Halo Circle 3



Halo Circle 2

SIZE (L x W x H)	PART #
STANDARD DESIGN	
7" x 7" x 7"	903011
8.5" x 8.5" x 8.5"	903202
10" x 10" x 8"	903081
10" x 10" x 10"	903012
12" x 12" x 10"	903213
12" x 12" x 12"	903013

NO-BOTTOM DESIGN	
7" x 7" x 7" NB	903016
8.5" x 8.5" x 8.5" NB	903201
10" x 10" x 8" NB	903082
10" x 10" x 10" NB	903017
12" x 12" x 10" NB	903214
12" x 12" x 12" NB	903018

NICU	
7" x 7" x 7" NICU	903005
8.5" x 8.5" x 8.5" NICU	903008
10" x 10" x 8" NICU	903009
10" x 10" x 10" NICU	903006
12" x 12" x 10" NICU	903215
12" x 12" x 12" NICU	903007

LOW BIRTH WEIGHT	
10" x 16" x 5"	903200
10" x 16" x 5" w/port	903303
10" x 16" x 5" w/port & top access	903305
11" x 18.5" x 7"	903301
11" x 18.5" x 7" w/port	903302
11" x 18.5" x 7" w/port & top access	903307

HALO	
WITH INFANT STANDARD BASE	
Circle 2 (1/2", 1/4")	903203
Circle 3 (1", 1/2", 1/4")	904301
Bar 3 (1", 1/2", 1/4")	904302
Oscillator Halo	903209
WITH PEDIATRIC TALL BASE	
Oscillator Halo (tall base)	903212